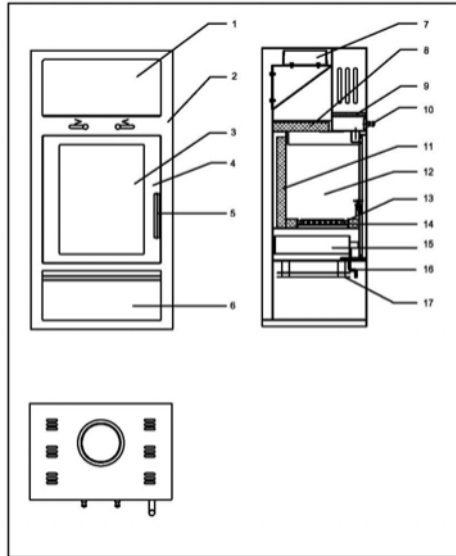


Specification sheet (EN) UNI-1064



Combustibles	Maximum amount of combustible	Primary air control 1 air flow through grate	Primary air control 2	Secondary air control
firewood	2 pieces of wood (approx. 1.5-2.0kg) or 1 wooden briquette (1.5kg)	10 minutes: open, afterwards closed	closed	open
brown coal briquettes	2-3 briquettes approx. 1.5-2.0kg	open	closed	open

Parts list / description

1 : warming compartment	10 : secondary air control
2 : stove body	11 : firebrick
3 : door glass	12 : combustion chamber
4 : combustion chamber door	13 : primary air control II
5 : handle	14 : grate
6 : wood compartment	15 : grate bracket
7 : chimney flue connection	16 : ash tray
8 : firebrick	17 : primary air control I (air flow through grate)
9 : warming plate	

Specifications :			
Height	950mm	Flue gas temperature at heating appliance connection	280°C
Width	482mm	minimum feed pressure	12Pa
Depth without handles	355mm		
Weight	72kg	Room heating capacity	
pipe connection	150 mm	under favourable conditions	165m ³
nominal heat output	6.0 kW	under less favourable conditions	95m ³
fluegas mass flow	6.6 g/s	under unfavourable conditions	65m ³

(EN) MANDATORY:

Specifications and approvals

Installation and operation of stoves in some countries are subject to different legal requirements.

The following documents have been translated from the German language into English and are intended in particular for the responsible authorities in Germany, Austria and Switzerland to verify if the installation of the fireplace and the chimney complies with the law.

In countries where no official inspection of the stove is legally required we recommend to read the stove operating instructions carefully included in the respective language and to observe in particular the following.

DISCRETIONARY:

- Allowing the correct clearances to combustible materials reduces fire risk.
- Sealing the chimney flue to the stove prevents poisonous gases to be drawn into your home.
- Do not use an oversized stove in rooms that are too small, also make sure to air the room sufficiently.
- Properly sized stoves and recommended air supply positions optimise the burning process and time.

For your own safety and health we recommend observing the following points.

Declaration of conformity (EN)

Uniproducts Industrial Ltd.

hereby declares that this space heater for solid fuels with the trade name

UNI-1063/1064/1066/1068

is conform to the relevant conditions of the
EC Construction Products Directive 89/106/EEC

and to the following corresponding standard:

EN 13240:2001 + EN 13240:2001/A2:2004

Examination of the room heater fired by solid fuels to be compliant with the standard requirements has been carried out at the notified test site:

Rhein-Ruhr Feuerstättenprüfstelle GmbH
Am Technologiepark 1
D-45307 Essen
Reference number: PL139

25.5.2008

Please follow the safety instructions from the protocol attached to the assembly and operating instructions.